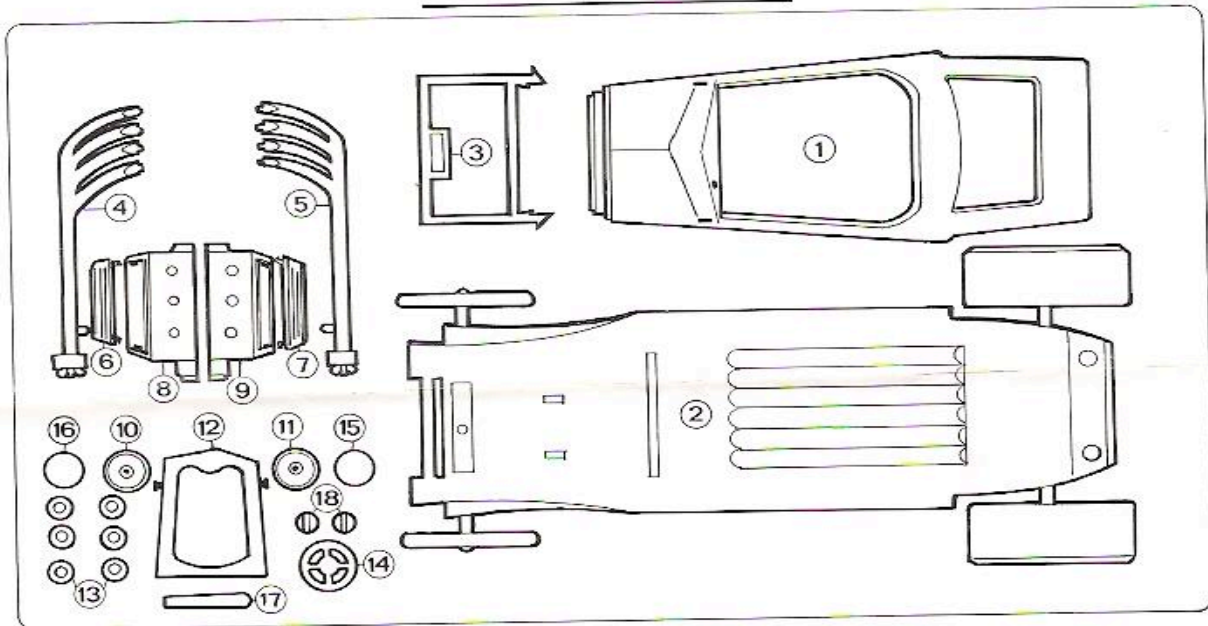


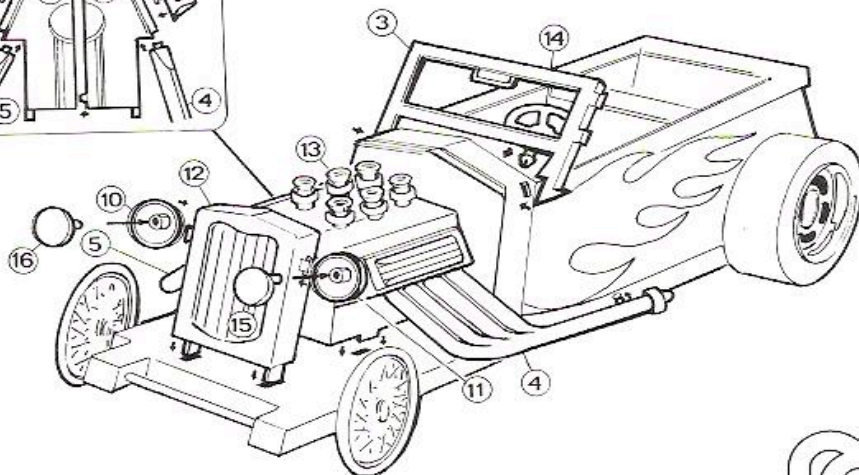
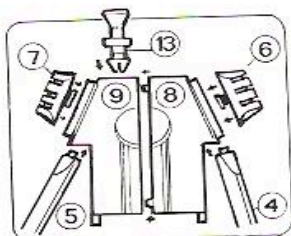
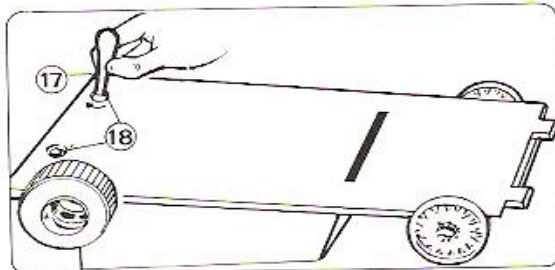
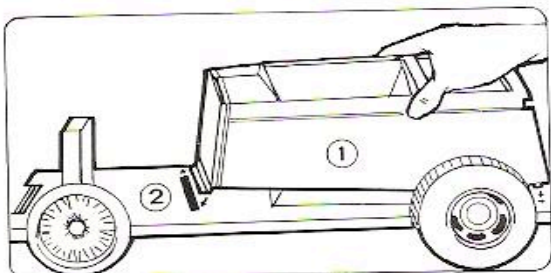
# HAPPY DAYS<sup>TM</sup>

# FONZIE'S JALOPY<sup>TM</sup>

## INSTRUCTION SHEET



IDENTIFY ALL PARTS OF FONZIE'S JALOPY<sup>TM</sup> AND ARRANGE THE PARTS AS SHOWN ABOVE. FOLLOW THE DRAWINGS BELOW FOR THE ASSEMBLY USING THE SCREWDRIVER (17) AS SHOWN



© 1977 PARAMOUNT PICTURES CORPORATION

\* TM DESIGNATES TRADEMARK OF PARAMOUNT PICTURES CORPORATION

MANUFACTURED BY MEGO CORP., NEW YORK, N.Y. 10010, IN HONG KONG.

